

PAMS Technical Documentation

NSD-1 Series Transceivers

Product Variants

AMENDMENT RECORD SHEET

Amendment Number	Date	Inserted By	Comments
	08/99		Issue 1
Issue2	09/00	OJuntune	Issue 2: ARS added foreword warning p.3 added NSD-3AY assy parts added NSD-1FW, 1GW. 1AW data added, p. 7 to 10

CONTENTS

Foreword	3
Transceiver NSD-1FX	3
Modules	3
Transceiver NSD-1GX	3
Modules	3
Exploded View of Transceiver NSD-1FX, 1GX	4
Assembly Parts of NSD-1FX	5
Assembly Parts of NSD-1GX	6
Transceiver NSD-1FW (5170i)	7
Modules	7
Transceiver NSD-1GW (5180i)	7
Modules	7
Transceiver NSD-1AW (5185)	7
Modules	7
Exploded View of Transceiver NSD-1FW, 1GW, 1AW	8
Assembly Parts of NSD-1FW, 1GW, 1AW	9
View of NSD-1 variants	10

Foreword

This section of the service manual contains specific details for the NSD-1 handportable telephone variants.

The chapter contains an exploded view of the NSD-1 variants (including a list of assembly parts) plus component parts lists covering the system module and the display module.

NOTE: The Service Manual is intended for use by qualified service personnel only.

NOTE: When assembling the B-cover screws, use 17 Ncm torque. Care must be exercised when re-assembling the phone to ensure that the antenna clip (top corner of UF4 module) is not bent or distorted.

Transceiver NSD-1FX

The phone is utilizing the CDMA 1900 band.

Modules

Unit/type:	Product code:	Module code:
Transceiver NSD-1FX	0501220	
• radio module UF4		Not available separately (0201293).
• display module UE4S		0201360
• mechanics MNSD1FX		0261848

Transceiver NSD-1GX

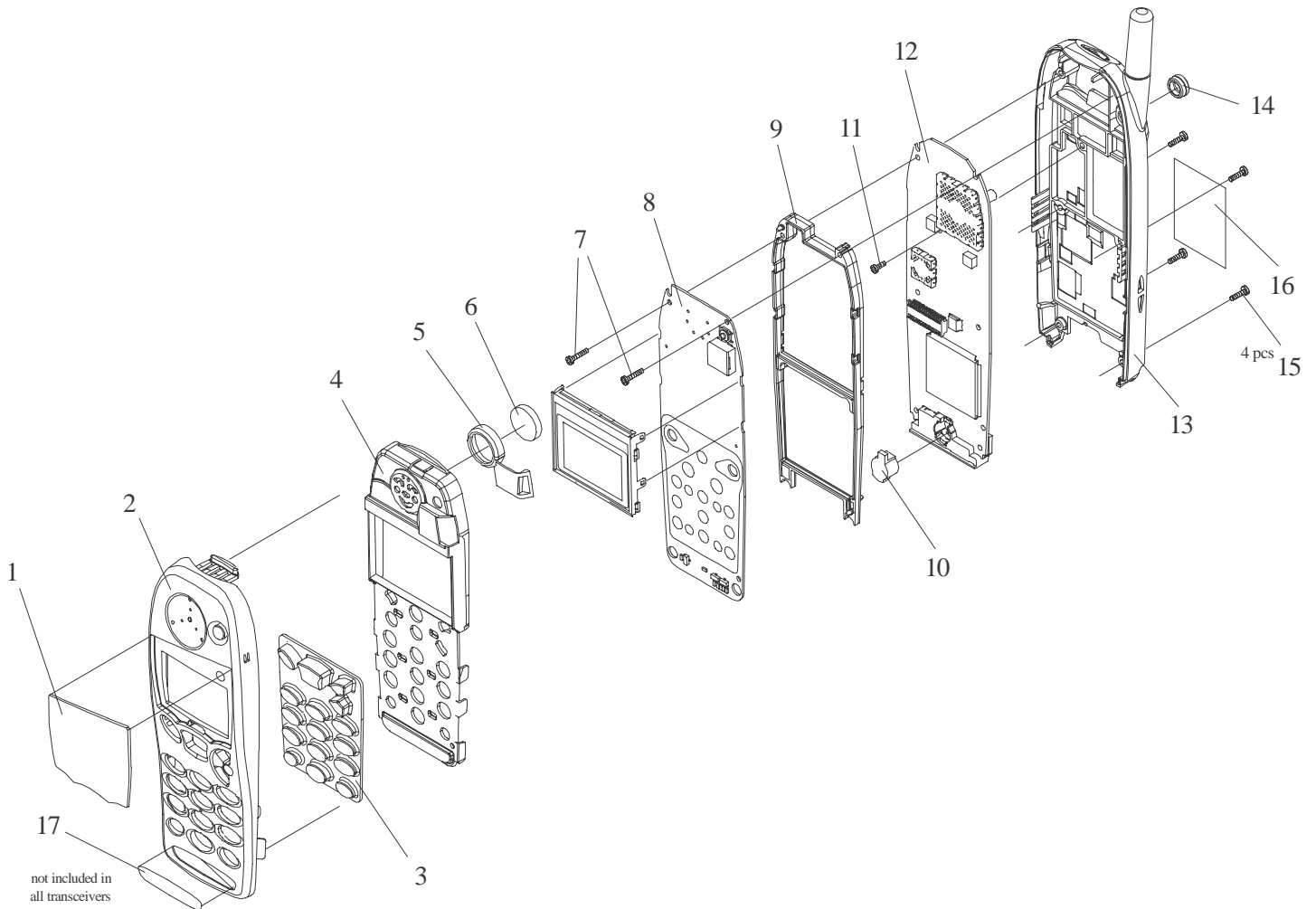
The phone is utilizing the CDMA and AMPS 800 bands.

Modules

Unit/type:	Product code:	Module code:
Transceiver NSD-1GX	0501344	
• radio module UF4		Not available separately (0201294).
• display module UE4S		0201360
• mechanics MNSD1FX		0261848
Transceiver NSD-1GX Gradiente	0503047	
• radio module UF4		Not available separately (0201294).
• display module UE4S		0201360
• mechanics MNSD1GX		0261916

Exploded View of Transceiver NSD-1FX, 1GX

NOTE: Antenna and B-cover are provided as one unit.



Assembly Parts of NSD-1FX

ITEM	Q'TY	CODE	DESCRIPTION	VALUE, TYPE
1		9457839	WINDOW	NSE-1 DMC01626
2		9456243	A-COVER assy night blue (LCD/speaker gasket and power key)	DMC01480
3		9790318	Keymat	DMC01735
4		9457853	C-cover assy	DMC00946 nse-1
5		9460215	Transducer gasket	DMD02687
6		5140067	Speaker+spring 103+/-3DB	32R D13.D13.2
7	2	6190015	Screw m1.6x10 t6 fezn cl	DMD01750
8		0201360	UE4S UIF module	
9		9467028	Frame assembly	DMC01735 mnsc1
10		5140101	Microphone+boot assy	DMC00955
11		6190023	Screw m1.6x4 t6 fezn yel	DMD02852
12		0201293	UF4 System module CDMA 1900	
13		0262140	B-cover assy (antenna, inserts, metal coating and extruded RF-gasket)	
14		9451139	Dust cap	DMD02859
15	4	6190013	Screw m1.6x7	DMD01749 t6 fezn blk
16		9380456	Type label (blank)	
17			Logo label (not in all transceivers)	

Assembly Parts of NSD-1GX

ITEM	Q'TY	CODE	DESCRIPTION	VALUE, TYPE
1		9457839	WINDOW	NSE-1 DMC01626
2		9456243	A-COVER assy night blue (LCD/speaker gasket and power key)	DMC01480
3		9790318	Keymat	DMC01482 mnsb-1nx
4		9457853	C-cover assy	DMC00946 nse-1
5		9460215	Transducer gasket	DMD02687
6		5140067	Speaker+spring 103+/-3DB	32R D13.D13.2
7	2	6190015	Screw m1.6x10 t6 fezn cl	DMD01750
8		0201360	UE4S UIF module	
9		9467028	Frame assembly	DMC01735 mnsc1
10		5140101	Microphone+boot assy	DMC00955
11		6190023	Screw m1.6x4 t6 fezn yel	DMD02852
12		0201294	UF4 System module CDMA/AMPS 800	
13		0262140	B-cover assy Nokia (antenna, inserts, metal coating and extruded RF-gasket)	
		0262141	B-cover assy for Gradiente	
14		9451139	Dust cap	DMD02859
15	4	6190013	Screw m1.6x7	DMD01749 t6 fezn blk
16		9380456	Type label (blank)	
17			Logo label (not in all transceivers)	

Transceiver NSD-1FW (5170i)

The phone is utilizing the CDMA 1900 band.

NOTE: When assembling the B-cover screws, use 17 Ncm torque.

Modules

Unit/type:	Product code:	Module code:
Transceiver NSD-1FW	0503937	
• radio module UF4i Not available separately		(0201583).
• display module UE4S		0201360
• mechanics MNSD1FX		0262236

Transceiver NSD-1GW (5180i)

The phone is utilizing the CDMA and AMPS 800 bands.

Modules

Unit/type:	Product code:	Module code:
Transceiver NSD-1GX	0503929	
• radio module UF4i Not available separately		(0201577).
• display module UE4S		0201360
• mechanics MNSD1FX		0262236

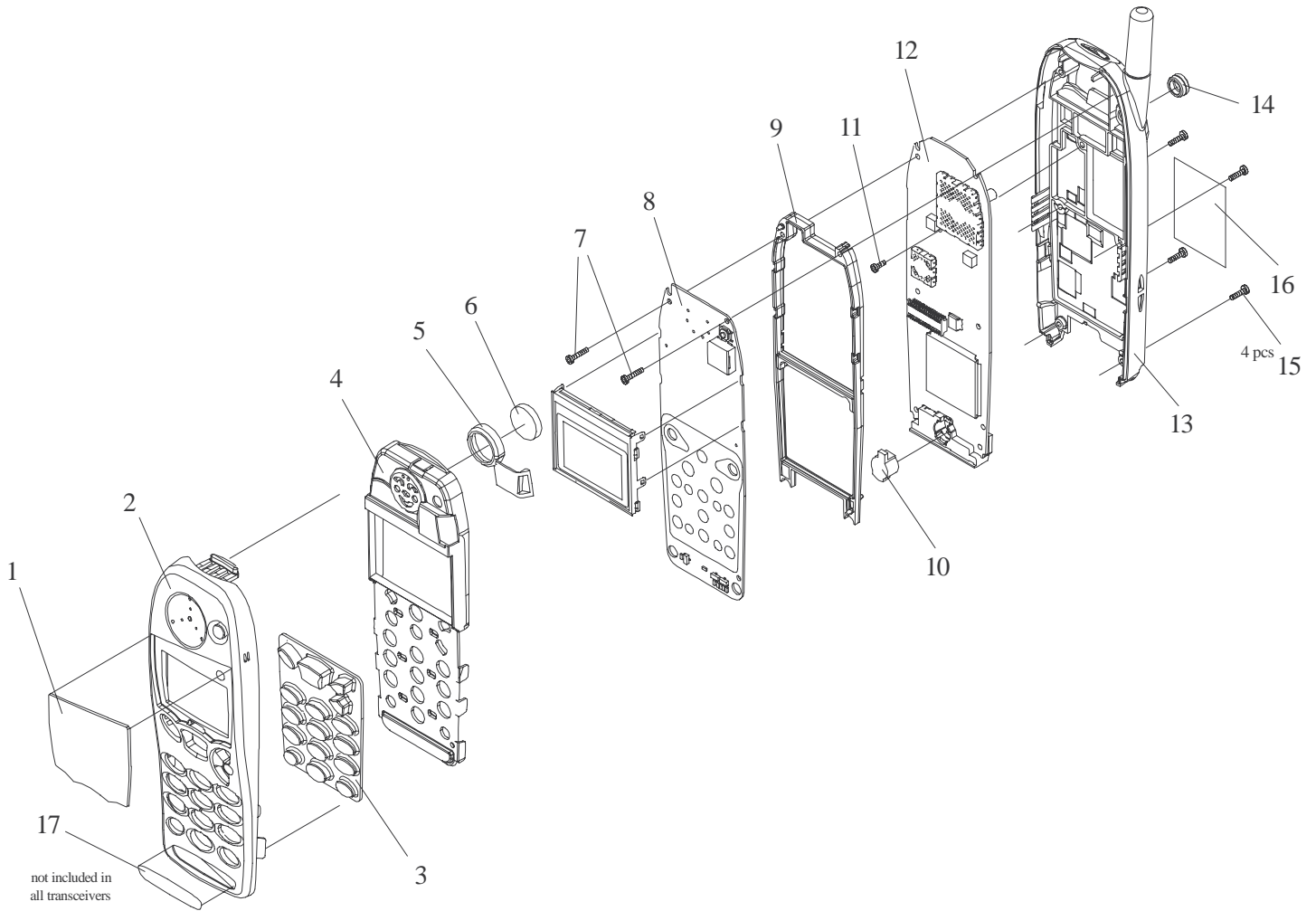
Transceiver NSD-1AW (5185)

The phone is utilizing the CDMA 1900 , CDMA and AMPS 800 bands.

Modules

Unit/type:	Product code:	Module code:
Transceiver NSD-1GX	0503764	
• radio module UF4i Not available separately		(0201549).
• display module UE4S		0201360
• mechanics MNSD1FX		0262236

Exploded View of Transceiver NSD-1FW, 1GW, 1AW



Assembly Parts of NSD-1FW, 1GW, 1AW

ITEM	Q'TY	CODE	DESCRIPTION	VALUE, TYPE
1		9457839	WINDOW	NSE-1 DMC01626
2		9497036	A-COVER assy SMOKE GRAY (LCD/speaker gasket and power key)	DMC03332
3		9790318	Keymat	DMC01735
4	9	457853	C-cover assy	DMC00946 nse-1
5	9	460215	Transducer gasket	DMD02687
6		5140067	Speaker+spring 103+/-3DB	32R D13.D13.2
7	2	6190015	Screw m1.6x10 t6 fezn cl	DMD01750
8		0201360	UE4S UIF module	
9		9467028	Frame assembly	DMC01735 mnsc1
10		5140101	Microphone+boot assy	DMC00955
11		6190043	Screw m1.6x4 t6 fezn yel	DMD05459
12		0201583	5170i UF4 CDMA BB/RF mod.	NSD-1FW
		0201577	5180i UF4 CDMA BB/RF mod.	NSD-1GW
		0201549	5185 UF4 CDMA BB/RF mod.	NSD-1AW
13		9456823	5170i B-cover assy	NSD-1FW
		9456894	5180i B-cover assy	NSD-1GW
		9456894	5185 B-cover assy (antenna, inserts, metal coating and extruded RF-gasket)	NSD-1AW
14		9451139	Dust cap	DMD02859
15	4	6190013	Screw m1.6x7	DMD01749 t6 fezn
16	9	9380456		Type label (blank)
17			Logo label (not in all transceivers)	

View of NSD-1 variants



Left: NSD-1 FX, GX right: NSD-1 FW, GW and AW